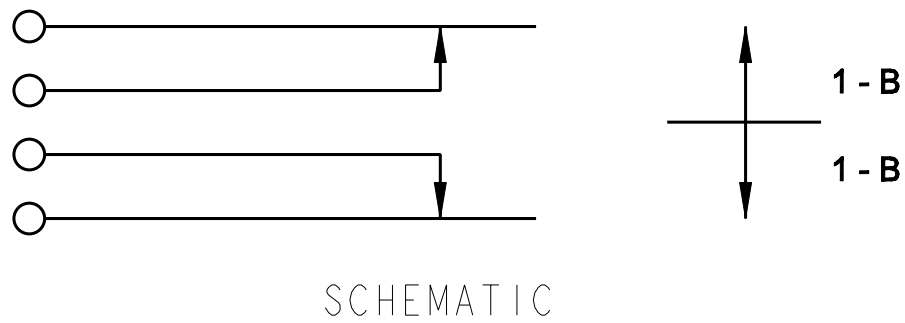
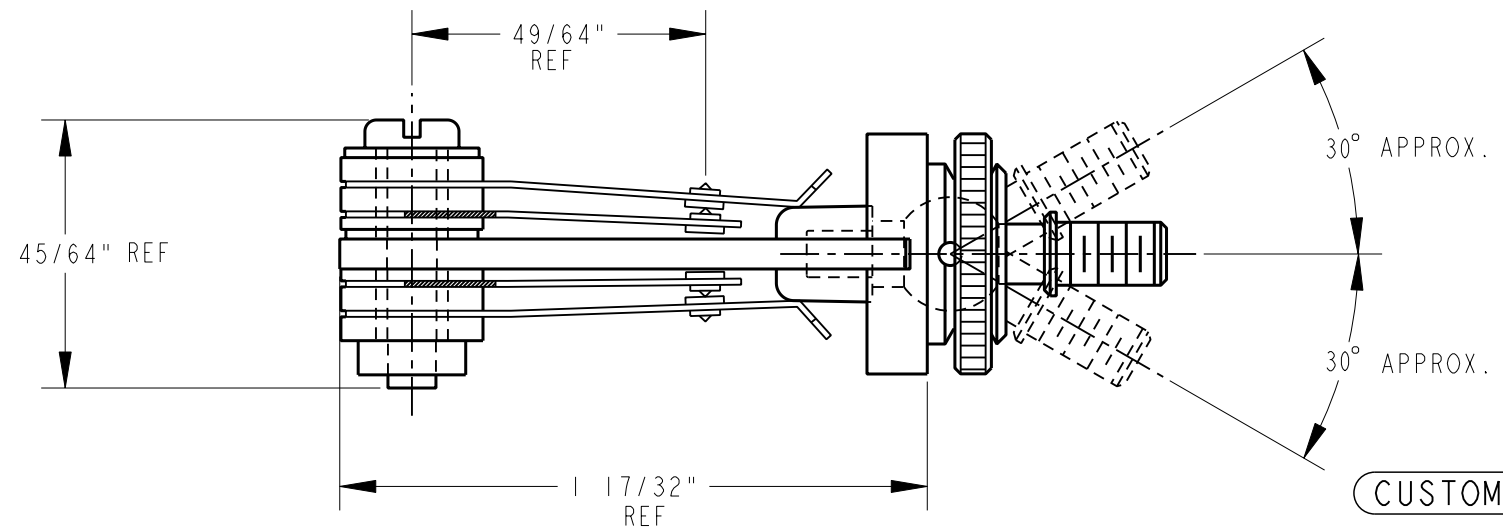
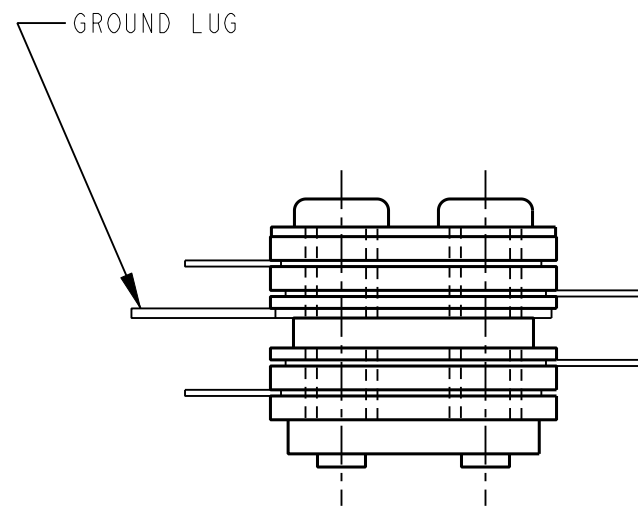
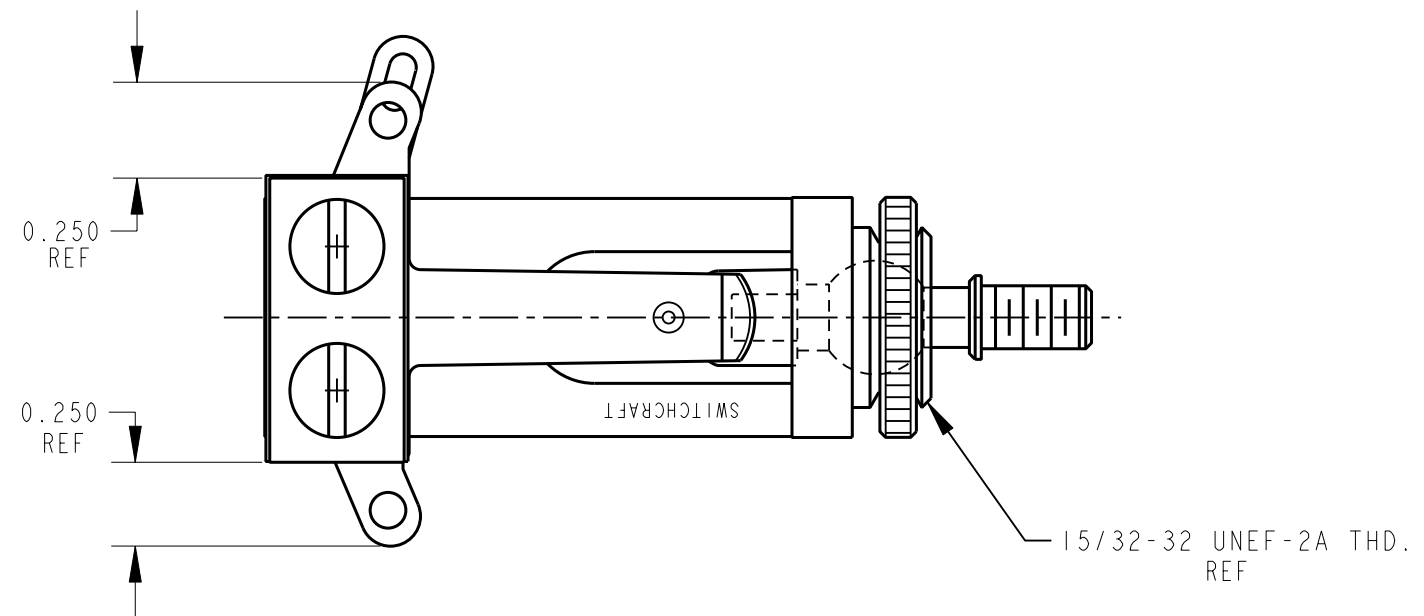


NOTES:

1. MATERIALS:

- FRAME: BRASS, NICKEL PLATED
- SPRINGS: SPRING TEMPERED, NICKEL SILVER
- BUSHING & SHAFT: BRASS, NICKEL PLATED
- INSULATION: XXXP PAPER BASE PHENOLIC
- CONTACTS: FINE SILVER
- SCREWS: STEEL, NICKEL PLATED
- SHAFT INSULATOR: NYLON
- TUBING: POLYPHENYLENE OXIDE
- MOUNTING HARDWARE: BRASS, NICKEL PLATED
SHIPPED UNASSEMBLED

2. THIS PRODUCT IS RoHS COMPLIANT.



					★ STAR SYMBOL DENOTES CRITICAL DIMENSION	THIS DRAWING DESCRIBES A DESIGN CONSIDERED PROPRIETARY IN NATURE, DEVELOPED AND MANUFACTURED BY SWITCHCRAFT INC. AND IS RELEASED ON A CONFIDENTIAL BASIS FOR IDENTIFICATION PURPOSES ONLY.					
					UNLESS OTHERWISE SPECIFIED	SIZE	WIDTH	MULT	LBS/M	TEMPER	
					1. ALL DIMENSIONS IN INCHES - TWO PLACE DECIMALS ±0.01 - THREE PLACE DECIMALS ±0.005 - ANGLES ±1° - ALL DIA. CONCENTRIC WITHIN 0.005 T.I.R.	FINISH		MATERIAL			
					2. FEATURES ON THE SAME CENTERLINE MUST BE ALIGNED WITHIN ±0.002	SPEC No.		SPEC No.			
					3. REMOVE ALL BURRS	FIRST USED ON		SCALE 2:1			
0A	FIRST DRAWN	5-7-09	TJK	TJK	DATE DRAWN	BY	CHKD	APVD			
REV	ECO NUMBER	DATE	BY	APVD	07-May-09	TJK	TJK	TJK			
REVISIONS					DO NOT SCALE DRAWING					NAME	
					Pro/Engineer CAD File					LEVER SWITCH 3 POSITION, RoHS	
					B					PART No.	
										12010X	
										REV	
										0A	



SHEET 1 OF 1

REV 0A